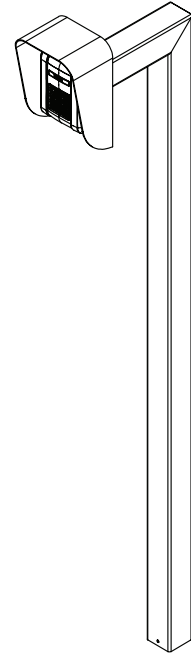


# BOLLARD-SNGL-R

# Merlin®



## SPECIFICATIONS

**Description:** Bollard for access devices

**Material:** Steel

**Height:** 1800mm

**Offset:** 180mm

**Weight:** 7.5kg bollard

**Diameter:** Square tube 60mm x 60mm

**Finish:** Powder Coated (Black)

## INSTALLATION

### FOR INSTALLATION IN UNMADE/GRAVEL SURFACES

#### You will need:

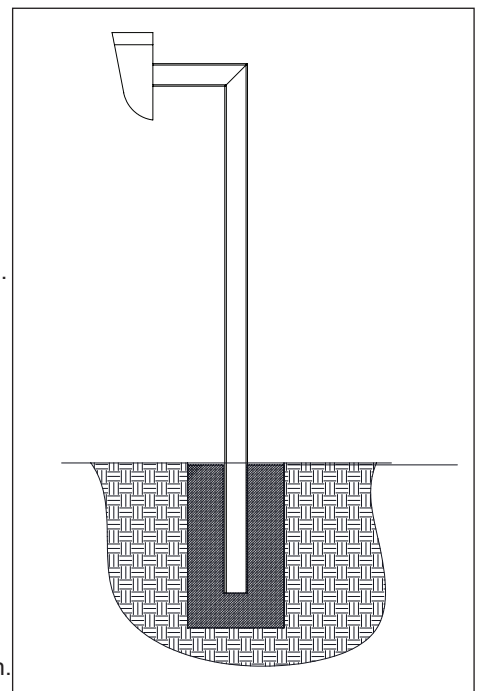
- Post hole digger or shovel
- Concrete or concrete mix and water mix (2 x 20KG bags based on a hole 200mm by 450mm)
- Gravel (recommended for drainage)
- Spirit Level
- Shovel
- Measuring Tape
- Trowel

#### What to do:

1. Determine where the bollard will be placed and mark the installation positions.
2. Determine the keypad height based on the site and calculate the hole depth based on 1800mm – keypad height.
3. Recommended height 1300mm -1400mm, hole depth 400mm-500mm.
4. Mark the ground at the centre point of the bollard's post position.
5. Dig a 200mm wide hole to the required depth. Dig a further 100mm for gravel drainage
6. Soak the hole with water in preparation for the concrete and allow the water to drain.
7. Add 100mm of gravel or crushed rock for drainage.
8. Place the bollard in the hole and check the keypad height. Adjust as required.
9. Prepare the concrete according to the manufacturer's instructions.
10. Place the bollard into the hole and use your level to ensure it is vertical.
11. Shovel the concrete around the base of the bollard, moving the concrete and packing it down around the bollard as you fill the hole to surface level.
12. Ensure the surface of the concrete around the bollard is flat to eliminate any trip hazards by using a trowel to smooth off the surface.
13. It is recommended to support the bollard during the concrete curing period.

### FOR INSTALLATION IN PRE-EXISTING CONCRETE SURFACES

We highly recommend you engage a professional core driller to complete the installation. For this bollard, the size of the hole to be core drilled is recommended at approximately 200mm.



This manual contains **IMPORTANT SAFETY** information  
**DO NOT PROCEED WITH THE INSTALLATION BEFORE READING THOROUGHLY**

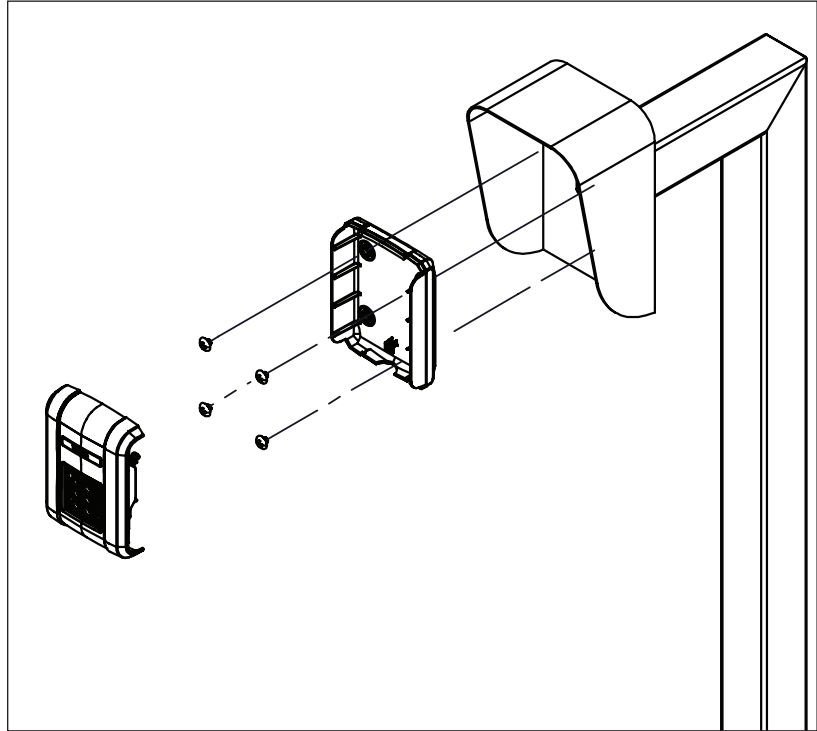


# KEYPAD INSTALLATION

## MOUNTING INSTRUCTIONS FOR MERLIN E850M AND GRIFCO E850G

### TO INSTALL:

1. After the bollard is secured in place.
2. Assemble the keypad onto the bollard using the 4 screws provided with the bollard kit.
3. Refer to the keypad manual for details.



## WARRANTY

### ONE YEAR LIMITED WARRANTY

Chamberlain Australia Pty Limited / Chamberlain New Zealand (Chamberlain), the manufacturer of Merlin® automatic garage door openers, warrants to the original consumer purchaser of this product that it is free from defect in materials and/or workmanship for a period of 1 year from the date of purchase.

Chamberlain is committed to manufacturing and supplying high quality goods. As part of this commitment, we seek to provide reliable service and support for our goods and are pleased to provide you, the original purchaser, with this Chamberlain Limited Warranty.

The benefits given to you under this Chamberlain Limited Warranty are in addition to any rights and remedies that you may have under Australian or New Zealand consumer protection laws. Our goods come with guarantees that cannot be excluded under the Australian Consumer Law, or New Zealand Consumer Guarantees Act 1993. You are entitled to a replacement or refund for a major failure and for compensation for any other reasonably foreseeable loss or damage. You are also entitled to have for compensation for any other reasonably foreseeable loss or damage. You are also entitled to have the goods repaired or replaced if the goods fail to be of acceptable quality and the failure does not amount to a major failure.

**Australia** Phone toll free 1800 638 234  
Fax toll free 1800 888 121  
Address Unit 1, 75 Epping Road North Ryde, NSW 2113  
Email [customerservice@chamberlainanz.com](mailto:customerservice@chamberlainanz.com)  
Website [www.gomerlin.com.au](http://www.gomerlin.com.au)

**New Zealand** Phone toll free 0800 653 667  
Auckland Phone 09 477 2823  
Fax toll free 0800 653 663  
Email [customerservice@chamberlainanz.com](mailto:customerservice@chamberlainanz.com)  
Website [www.gomerlin.co.nz](http://www.gomerlin.co.nz)

™ Trademark of The Chamberlain Group LLC

® Registered Trademark of The Chamberlain Group LLC

© 2025 The Chamberlain Group LLC