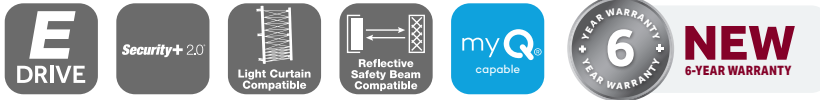


# E-DRIVE

## ROLLER SHUTTER OPERATOR FOR SPRING-BALANCED COMMERCIAL DOORS



### KEY FEATURES

- Purpose-designed gearbox with a range of powerful motors.
- Multiple configuration options to suit an extensive range of applications.
- Electronic limits with Security +2.0 radio onboard for encrypted security.
- A comprehensive and modular range of accessories.
- Compatible with myQ smartphone control.\*
- Includes opening entrapment prevention capability.



*Product may differ slightly from image shown.*

Control and manage your doors from anywhere with your smartphone. E-Drive with myQ connectivity utilises the latest logic and smart technology and builds upon Grifco's trusted legacy for traditional spring-balanced roller shutters, doors and grilles.

Regarded as the industry benchmark, E-Drive with myQ offers powerful unbeatable performance for commercial doors. The proprietary expandable logic enables exceptional versatility and adaptability on location.

### What's in the Box?

Operator, Wall Control, Mounting Hardware

### Information for Roller Shutters

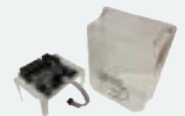
All operators have a recommended maximum Roller Shutter area listed in the specification table. All recommended sizes are based on a "Standard Roller Shutter" with the following parameters:

- The Shutter is correctly spring-balanced.
- The Shutter has max 1mm x min 100mm slats, with a Diameter 150mm drum for shutters max 36m<sup>2</sup>, or Diameter 200mm drum for shutters 36 - 50m<sup>2</sup>.
- The Shutter has no wind-locks.
- A sprocket ratio ≥ 4:1 is used.

### OPTIONAL ACCESSORIES

#### Expansion Board With High Lid

EB1



#### Monitored Safety Beam Kit

GPS15RK



#### Monitored Light Curtain System

GLCPS



#### myQ Gateway

G828AU



### myQ Capable\*



APP AVAILABLE ON:



📍 Control from anywhere

📅 Preset scheduling

🔔 Real-time notifications

🔑 Access control

\* myQ Gateway and Grifco Entrapment Protection System required.

# E-DRIVE

Model	Nominal Power	Rated Current	Voltage	Phase	Max. Door Size	IP Rating	Duty
-------	---------------	---------------	---------	-------	----------------	-----------	------

### E-Drive Operator | Low Cycle | Three Phase 415V

<b>ML6053</b>	0.37kW	0.5Hp	1.6A	415V	3ph	18m <sup>2</sup>	IP44	LC-10
<b>ML6103</b>	0.75kW	1.0Hp	2.4A	415V	3ph	36m <sup>2</sup>	IP44	LC-10
<b>ML6153</b>	1.10kW	1.5Hp	2.9A	415V	3ph	50m <sup>2</sup>	IP44	LC-10

### E-Drive Operator | Low Cycle | Single Phase 240V

<b>ML6051</b>	0.37kW	0.5Hp	3.5A	240V	1ph	18m <sup>2</sup>	IP44	LC-10
<b>ML6102</b>	0.75kW	1.0Hp	6.0A	240V	1ph	36m <sup>2</sup>	IP44	LC-10

### E-Drive Operator | High Cycle | Three Phase 415V

<b>MH6103</b>	0.75kW	1.0Hp	2.0A	415V	3ph	30m <sup>2</sup>	IP44	HC-30
<b>MH6153W</b>	1.10kW	1.5Hp	2.9A	415V	3ph	50m <sup>2</sup>	IP55	HC-30

### E-Drive Operator | High Cycle | Single Phase 240V

<b>MH6102</b>	0.75kW	1.0Hp	4.4A	240V	1ph	30m <sup>2</sup>	IP44	HC-30
---------------	--------	-------	------	------	-----	------------------	------	-------

### E-Drive Operator | Low Cycle | Three Phase 415V | Smoke Baffle Feature

<b>ML6103SBF</b>	0.75kW	1.0Hp	2.4A	415V	3ph	36m <sup>2</sup>	IP44	LC-10
<b>ML6153SBF</b>	1.10kW	1.5Hp	2.9A	415V	3ph	50m <sup>2</sup>	IP44	LC-10

### E-Drive Operator | Low Cycle | Single Phase 240V | Smoke Baffle Feature

<b>ML6102SBF</b>	0.75kW	1.0Hp	6.0A	240V	1ph	36m <sup>2</sup>	IP44	LC-10
------------------	--------	-------	------	------	-----	------------------	------	-------

When ordering please specify an "L" or an "R" at the end of every part number. MCB's with Smoke Baffle feature are available for E-Drive retrofit.

Model	Nominal Power	Rated Current	Voltage	Phase	Max. Door Size	IP Rating	Duty
-------	---------------	---------------	---------	-------	----------------	-----------	------

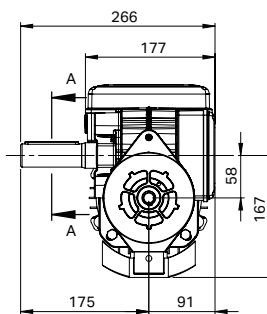
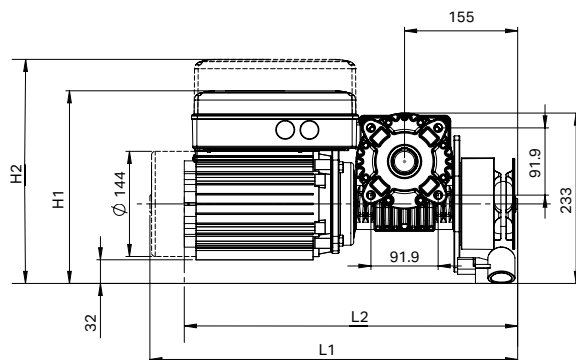
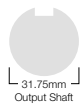
### E-Drive Operator | Low Cycle | Monitored Safety Beams | Transmitters

<b>ML6103RO</b>	0.75kW	1.0Hp	2.4A	415V	3ph	36m <sup>2</sup>	IP44	LC-10
<b>ML6102RO</b>	0.75kW	1.0Hp	6.0A	240V	1ph	36m <sup>2</sup>	IP44	LC-10

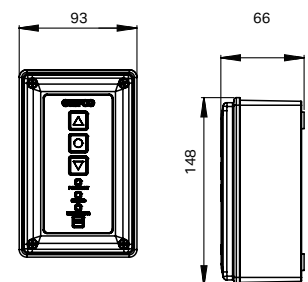
Kit includes E-Drive Operator, Wall Control, Monitored Safety Beams and 2 x Wireless Keyring Transmitters

## Dimension Drawing

Reference	Dimension (mm)	Specification for
L1	503	Single Phase E-Drive Models
L2	456	3 Phase E-Drive Models
H1	263	Overall Height (Low Lid)
H2	307	Overall Height (High Lid)



Left hand model configuration shown



### OPTIONAL UPGRADES

No Neutral (N)	Pre-Wired (P)	IP55 (W)	Clutch (C)
-	-	-	-
+	+	-	+
+	+	-	+
-	✓	-	-
-	✓	-	+
+	+	+	+
+	-	-	-
-	✓	+	+
-	-	-	-
-	-	-	-
-	✓	-	-

When ordering please specify the appropriate abbreviation (found above) before the "L" or "R" handing. For example ML6051WR

✓ As standard + Optional Upgrade - Not available



Product may differ slightly from image shown.