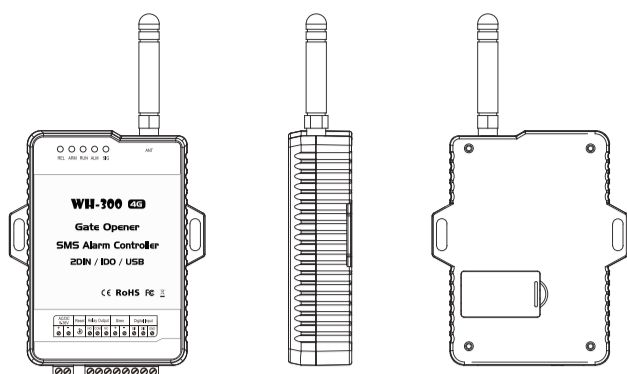


GATE OPENER GSM/3G/4G CONTROLLER ALARM



- Can work in the worldwide GSM/3G/4G Networks.
- No call charges. The 4G Controller rejects the call from authorized number, then the relay will turn ON/OFF on this first ring.
- Secure-Using caller ID for identification, unknown callers are ignored.
- Up to 1200 authorized phone numbers can be configured.
- 1-10 as super users can control/configure device and receive alarm sms and calling(optional). 11-1200 as normal users only can control device and receive alarm sms and calling(optional).
- Can connect Siren Output, provide real-time on-site alarms.
- Daily alarm and operation records can be checked.
- 1 output with relay for connecting the switch of the door or machines.
- The relay action will return a SMS confirmation to the owner, this function is editable.
- 2 digital Inputs can be used to detect any kind of switched event such as an alarm activation, door contacts, PIR sensor, gate held open etc. and SMS can be customised.
- Time limitation for access, user can call in to control only during the pre-set time period
- Automatically report current status by SMS.
- The relay close or open time is programmable.
- Configure device via SMS or APP.

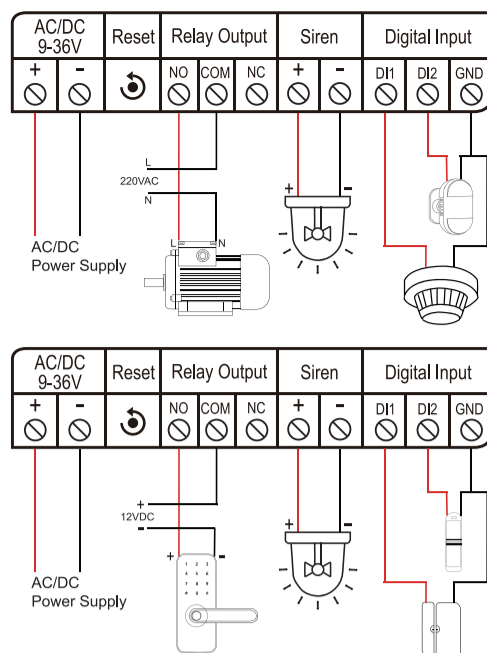


Available on the App Store

Scan QR Code
Download APP



GET IT ON Google Play



LIST OF SMS COMMANDS

Functions	SMS Command	Designation
Configure date and time	1234#TEL9.....# ("9....." GSM/4G card number)	Set each SIMcard number Correct time for device
Change password	1234#P6666#	Default is 1234 (4 characters)
Add user (4 methods) Example: Authorized No.:0044777777 Serial No.:0001-1500 User Name: RAY (Capital) max. 10 characters Start/End Time Format: 230 5182230/2305192030 Year:23 Month:05 Day:18/19 Hour:22/20 Minute:30 If need receive alarm add a# at the end	1234#TEL0044777777# 0001# 1234#TEL0044777777# 0001#RAY# 1234#TEL0044777777# 0001#2305182230#230 5192030# 1234#TEL0044777777# 0001#2305182230#230 5192030#RAY#	Only by authorized phone number by authorized phone number& user name by authorized phone number& start/end time by authorized phone number& start/end time& user name
Delete the user	1234#TEL#0005#	Delete the 5th user in the list
Delete multiple users	1234#TEL0005#0200#	Deletes users from 005 to 0200.
Check user's position	1234#TEL0005?	Check the 5th User's phone
Check multiple users's position	1234#TEL0005#0200?	Check the 5-200 users's phone.
Activate relay by SMS	1234#ON# 1234#OFF#	Close relay Open relay
Enable/Disable User permission. Default Disable	1234#EN# 1234#DN#	Enable User permission Disable User permission
Set the authorization	1234##AA# 1234##AU#	Anyone could open the door Only authorized users could open the door
Set the relay close time	1234#GOT0010#	The relay will close for 10s Relay time:0000-9999 Default:1 Unit: Second
Set siren output time	1234#SOT010#	Siren output time as 10s
Siren Output Alarm	1234#SO#	Set Siren Output Alarm
Siren Stop Alarm	1234#SR#	Set Siren Stop Alarm
Close alarm sms time	1234#SO# (0 is zero)	Close alarm sms time
Alarm Mode Setting 0: None 1: Call 2: SMS 3: Call&SMS Default 3 Call&SMS	1234##A1#	Only Call when alarm
Who will receive the confirmation SMS when relay ON/OFF 00: All no receive (default) 0 1: only caller or sms sender 1 0: only 1-10st numbers 1 1: 1-10st & caller or sms senders receive 22: All authorization numbers receive Customize SMS content. max.40 characters	1234#GON11#Door Open# (Default sms content: R-ON) 1234#GOFF00#Door Close# (Default sms content: R-OFF)	1-10st numbers & the caller number or sms sender all receive SMS "Door Open" when relay is ON 1-10st numbers & the caller number or sms sender will not receive SMS "Door Close"when relay is OFF
Set device description	1234#DTMachine Room#	device as Machine Room
Enable/Disable self-check auto report SMS or dial to the 1 st number 0: None 1: SMS 2: Call 3: Call&SMS Default 1 only sms	1234#CO8#024#1#	Start Time:08:00. Interval:24 hour send SMS to 1st Authorized number
Edit input Alarm sms IN1: input 1 IN2: input 2	1234#IN1#in1 Alarm#	Set input 1 name as in1 alarm
Enable remember relay status when power failure	1234#ER#	When power failure,relay will remember current status
Disable remember relay status when power failure	1234#DR#	When power failure,relay don't remember current status
Device Arm	1234#EA#	Set Device Arm state
Device Disarm	1234#DA#	Set Device Disarm state
Device Arm by time	1234#230519#230616# ARM#	Arm Start time& End time: Year: 23 Month: 05/06 Day:19/16
Inquiry alarm records	1234#230103#230206# A#	Inquiry alarm records from Start time& End time: Year: 23 Month: 01/02 Day:03/06
Inquiry operation records	1234#230103#230206# B#	Inquiry operation records from Start time& End time: Year: 23 Month: 01/02 Day:03/06
Normally closed relay	1234#NC#	Relay will normal closed
Normally open relay	1234#NO#	Relay will normal open
Inquiry current status	1234#EE#	Inquire current status
Inquiry all serial numbers that have been set	1234#USER?	Inquire the Serial Number of authorized number
Inquiry device imei	1234#IMEI#	Inquiry imei number
Reset all parameters	1234#RESET#	Reset all parameters

Parameter	Reference
GSM/4G Frequency	4G-EU For EMEA 4G-AU For Latin America/AUS/NZ 4G-US For North/Central America GSM 850/900/1800/1900MHZ
Power Supply	AC/DC 9-36V / 1A
Power Consumption	Max. 50mA / Average 25mA
SIM Card	Tipo nano, 3V
Antenna	50 Ω SMA
Relay Output	Realy, 2A/250V AC 2A/24V DC
Digital Input	2 NC/NO dry contact
Siren Output	12V DC/1A
Users	Max. 1200
Relay Time	0 - 9999s
Operating Temp & Humidity	-10°C ~ +60°C / 10% ~ 90%
Dimension	91.5 x 63 x 25mm
Weight	110g

LED	Status
ANT	Connect to GSM/3G/4G antenna.
Signal (SIG)	Flash per 1 second (quickly):registering to cellular network. keep flashing fast: cannt register to network well. Flash per 2 seconds: Normal status.
Relay (REL)	Relay Status, calling in, the relay will work, this LED indicator will on,otherwise will off.
Reset	Press and hold the Reset button until the Run LED is always on, then after 5 seconds, it will reset the device to factory default. If reset successfully, it will auto restart after 8 seconds.
RUN	Flash per 1 second: Connected the cellular network successfully. OFF: can not connect to SIM card or unregistered to the cellular network.
ALARM (ALM)	Flash per 0.5 second (quickly): Alarm occurrence.Flashing time according to preset. OFF: Normal state No alarm occurrence.
ARM	ON: The device is armed. OFF: The device is disarmed.

Connection		
AC/DC 9-36V	+	Power supply input, positive wire.
	-	Power supply input, negative wire.
Relay Output	NO	Normally Open port. 2A/250VAC.
	COM	Common port. 2A/250VAC.
	NC	Normally Close port. 2A/250VAC.
Digital Input 1/2	DIN 1/2	Digital Input 1/2, connect to one wire of the wired sensor or detector.
	GND	Ground point; connect to another wire of the wired sensor or detector.
Siren	+	12V DC + output, connect to siren's positive wire.
	-	GND, connect to siren's negative wire.

CONFIGURATION

1. It is necessary to remove the security PIN from the card.
2. The GSM/4G module power supply must be direct current (AC/DC 9-36V).
3. The SMS must be composed of capital letters and no spaces.
4. Add authorized user numbers for opening.